

GS6B45H

STANDARD MATERIALS AND CONSTRUCTION

FRAME: 18-GA. galvanized steel.

BLADE: 18-GA. galvanized steel. Blades approximately 6 9/16" on centers.

SCREEN: (When indicated)

1/2" sq. mesh, 19-GA. galvanized steel (.041").

CONSTRUCTION: Riveted and/or welded, full jambs with blades, head and sill contained within.

OPTIONS

Flange Frame available.

Finishes - Enamels, Epoxies, etc.

Screens - Insect screen 18/16 aluminum mesh,

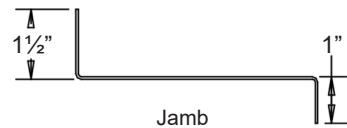
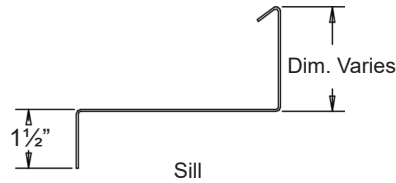
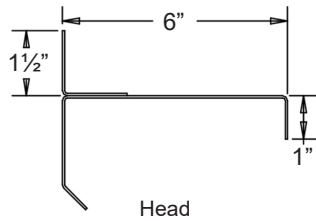
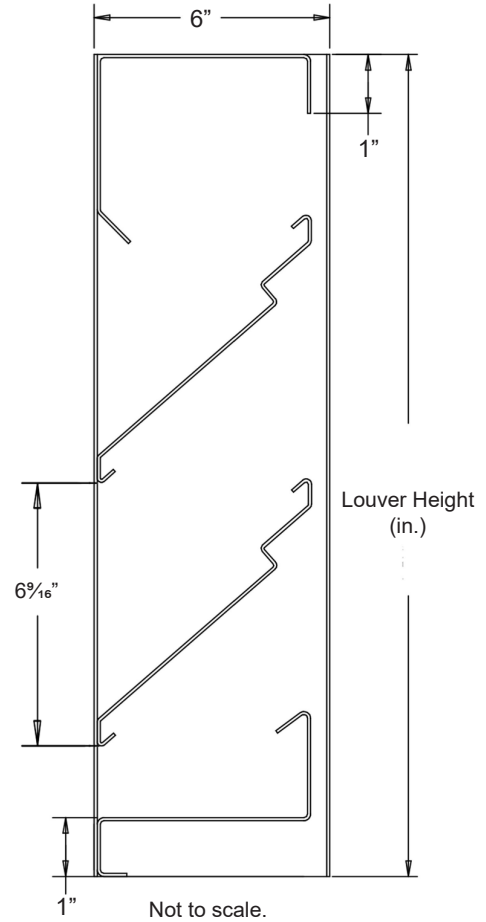
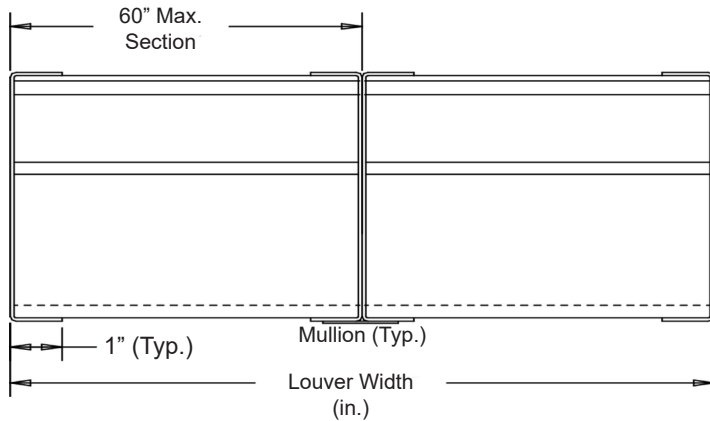
- or- 1/2" flattened aluminum, .051",
 - or- 1/4" sq. mesh, 18-GA galvanized steel, .047",
 - or- 1/2" sq. mesh, 18-GA stainless steel, .047",
- Others available.

NOTES

1. Nominal deductions will be made to the opening size given.
2. Average shipping weight is 8.5 lbs./sq.ft.


LOUVER SIZES

Min Panel	Max Single Panel
12"W x 12"H	60"W x 96"H



Flanged Frame Available

In the interest of product development, Airline Louvers reserves the right to make changes without notice.

Item #	Qty	Width	Height	Width	Height	Mullion	Type	Location	
		Opening Size		Louver Size			Screens		
Arch. / Eng. :						EDR:	ECN:	Job:	
Contractor:									
Project:						Date:	DWN:	DWG:	

1020 Prince Frederick Blvd. Suite 305 • Prince Frederick, MD 20687 • Phone: (570) 420-7079 • Fax: (570) 420-7078



GS6B45H

FREE AREA TABLE

		Free Area (sq.ft.)								
		Width (in.)								
		12"	18"	24"	30"	36"	42"	48"	54"	60"
Height (in.)	12"	.20	.32	.45	.57	.69	.81	.93	1.06	1.18
	24"	.59	.95	1.31	1.67	2.02	2.38	2.74	3.09	3.45
	36"	1.12	1.80	2.47	3.15	3.82	4.50	5.17	5.84	6.52
	48"	1.57	2.52	3.46	4.41	5.35	6.30	7.33	8.19	9.13
	60"	2.10	3.37	4.63	5.89	7.15	8.41	9.67	10.94	12.20
	72"	2.55	4.08	5.61	7.14	8.67	10.20	11.73	13.26	14.79
	84"	3.19	5.11	7.03	8.94	10.86	12.78	14.69	16.61	18.52
	96"	3.39	5.42	7.45	9.48	11.51	13.55	15.58	17.61	19.64